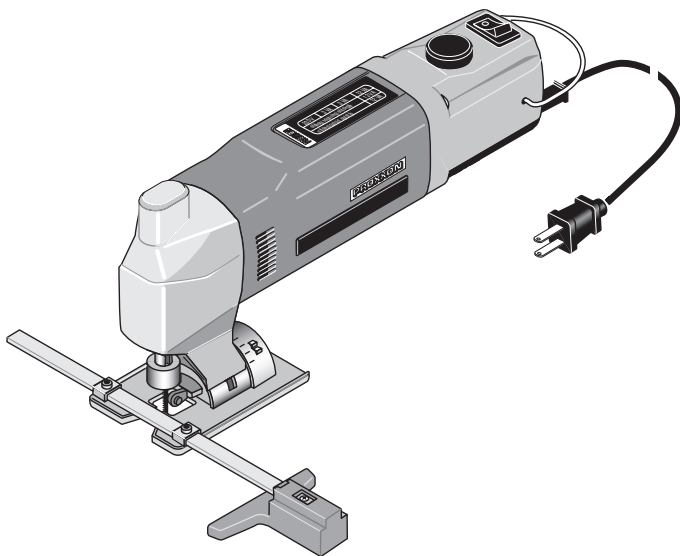


PROXXON

SS 115/E



Manual

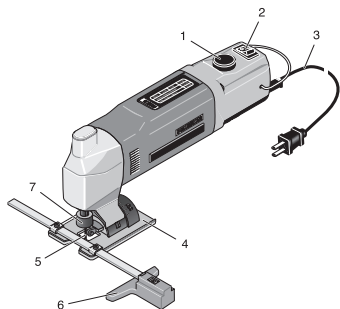


Fig. 1

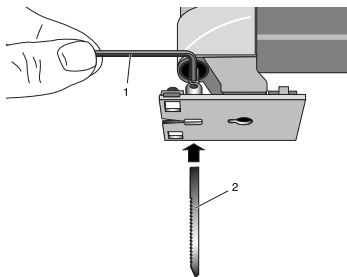


Fig. 2

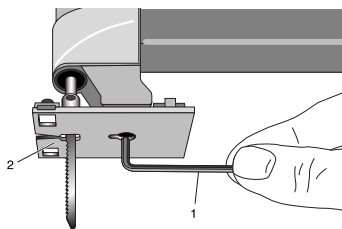


Fig. 3

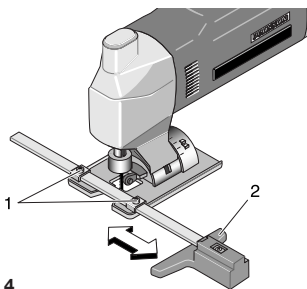


Fig. 4

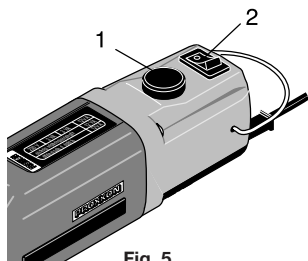


Fig. 5

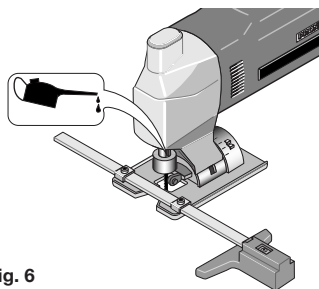


Fig. 6

PROXXON SS 115/E

Foreword

Dear Customer,

The PROXXON Super SS 115/E Jig Saw is an easy to use but nonetheless high-performance device, which produces excellent cutting results.

This instruction manual covers:

- Safety regulations
- Operation and maintenance
- Spare parts list.

Please read carefully.

The use of this instruction manual

- makes it easier, to become familiarised with the device,
- prevents faults due to improper operation
- and increases the service life of the device.

Keep this instruction manual in an easily accessible place.

The instruction manual must be read before, and observed during operation of the device.

PROXXON is not liable for the safe functioning of the device:

- in the case of non-designated use or for purposes
- other than those specified in the instruction manual,
- if the safety regulations are not observed.

Warranty claims are invalid in the case of:

- improper operation,
- insufficient maintenance.

In the interests of your safety, please always observe the safety regulations.

Use original PROXXON spare parts only. We reserve the right to make further alterations for the purpose of technical progress. We wish you every success with your device.

Before putting the machine into operation, read the enclosed safety rules and operating instructions.

General safety instructions

Warning! Read and understand all instructions. Failure to follow all instructions listed below, may result in electric shock, fire and/or serious personal injury.

Save these instructions!

Work Area

Keep your work area clean and well lit. Cluttered benches and dark areas invite accidents.

Do not operate power tools in explosive atmospheres, such as in the presence of flammable liquids, gases, or dust. Power tools create sparks which may ignite the dust or fumes.

Keep bystanders, children, and visitors away while operating a power tool. Distractions can cause you to lose control.

Electrical Safety

Double Insulated tools are equipped with a polarized plug (one blade is wider than the other.) This plug will fit in a polarized outlet only one way. If the plug does not fit fully in the outlet, reverse the plug. If it still does not fit, contact a qualified electrician to install a polarized outlet. Do not change the plug in any way.

Double Insulation  Class II Equipment **eliminates the need for the three wire grounded power cord and grounded power supply system.**

Avoid body contact with grounded surfaces such as pipes, radiators, ranges and refrigerators. There is an increased risk of electric shock if your body is grounded.

Do not expose power tools to rain or wet conditions. Water entering a power tool will increase the risk of electric shock.

Do not abuse the cord. Never use the cord to carry the tools or pull the plug from an outlet. Keep cord away from heat, oil, sharp edges or moving parts. Replace damaged cords immediately. Damaged cords increase the risk of electric shock.

When operating a power tool outside, use an outdoor extension cord marked "W-A" or "W." These cords are rated for outdoor use and reduce the risk of electric shock.

Personal Safety

Stay alert, watch what you are doing and use common sense when operating a power tool. Do not use tool while tired or under the influence of drugs, alcohol, or medication. A moment of inattention while operating power tools may result in serious personal injury.

Dress properly. Do not wear loose clothing or jewelry. Contain long hair. Keep your hair, clothing, and gloves away from moving parts. Loose clothes, jewelry, or long hair can be caught in moving parts.

Avoid accidental starting. Be sure switch is off before plugging in. Carrying tools

with your finger on the switch or plugging in tools that have the switch on invites accidents. **Remove adjusting keys or wrenches before turning the tool on.** A wrench or a key that is left attached to a rotating part of the tool may result in personal injury.

Do not overreach. Keep proper footing and balance at all times. Proper footing and balance enables better control of the tool in unexpected situations.

Use safety equipment. Always wear eye protection. Dust mask, non-skid safety shoes, hard hat, or hearing protection must be used for appropriate conditions.

Tool Use and Care

Use clamps or other practical way to secure and support the work piece to a stable platform. Holding the work by hand or against your body is unstable and may lead to loss of control.

Do not force tool. Use the correct tool for your application. The correct tool will do the job better and safer at the rate for which it is designed.

Do not use tool if switch does not turn it on or off. Any tool that cannot be controlled with the switch is dangerous and must be repaired.

Disconnect the plug from the power source before making any adjustments, changing accessories, or storing the tool. Such preventive safety measures reduce the risk of starting the tool accidentally.

Store idle tools out of reach of children and other untrained persons. Tools are dangerous in the hands of untrained users.

Maintain tools with care. Keep cutting tools sharp and clean. Properly maintained tools, with sharp cutting edges are less likely to bind and are easier to control.

Check for misalignment or binding of moving parts, breakage of parts, and any other condition that may affect the tools operation. If damaged, have the tool serviced before using. Many accidents are caused by poorly maintained tools.

Use only accessories that are recommended by the manufacturer for your model. Accessories that may be suitable for one tool, may become hazardous when used on another tool.

SERVICE

Tool service must be performed only by qualified repair personnel. Service or maintenance performed by unqualified personnel could result in a risk of injury.

When servicing a tool, use only identical replacement parts. Follow instructions in the Maintenance section of this manual. Use of unauthorized parts or failure to follow Maintenance Instructions may create a risk of electric shock or injury. Certain cleaning agents such as gasoline, carbon tetrachloride, ammonia etc. may damage plastic parts.

SPECIFIC SAFETY RULES

DO NOT let familiarity or comfort with product (gained from repeated use) replace strict adherence to jig saw safety rules.



Please note:

If you use this tool unsafely or incorrectly, you can suffer serious personal injury.

1. Hold tool by insulated gripping surfaces when performing an operation where the cutting tools may contact hidden wiring or its own cord. Contact with a "live" wire will make exposed metal parts of the tool "live" and shock the operator.
2. Keep hands away from all cutting edges and moving parts.
3. Always use safety glasses or goggles. Ordinary eye or sunglasses are NOT safety glasses.
4. Avoid cutting nails. Inspect work piece for any nails and remove them before operation.
5. Check for the proper clearance beyond the workpiece before cutting so that the blade will not strike the floor, workbench, etc.
6. Always hold the tool firmly.
7. Do not leave the tool running. Operate the tool only when hand-held.
8. Always switch off and wait for the blade to come to a complete stop before removing the blade from the work piece.
9. Some material contains chemicals, which may be toxic. Take caution to prevent dust inhalation and skin contact. Follow material supplier safety data.

Symbols

Important: Some of the following symbols may be used on your tool. Please study them and learn their meaning. Proper interpretation of these symbols will allow you to operate the tool better and safer.

| Symbol | Name | Designation/Explanation |
|---|---|---|
| V | Volts | Voltage (potential) |
| A | Amperes | Current |
| Hz | Hertz | Frequency (cycles per second) |
| W | Watt | Power |
| kg | Kilograms | Weight |
| min | Minutes | Time |
| s | Seconds | Time |
| Ø | Diameter | Size of drill bits, grinding wheels, etc. |
| n_0 | No load speed | Rotational speed, at no load |
| .../min | Revolutions or reciprocation per minute | Revolutions, strokes, surface speed, orbits etc. per minute |
| 1, 2, 3, ... | Selector settings | Speed, torque or position settings. Higher number means greater speed |
|  | Infinitely variable selector | Speed is increasing from narrow end |
| → | Arrow | Action in the direction of arrow |
| ~ | Alternating current | Type or a characteristic of current |
|  | Class II construction | Designates Double Insulated Construction tools. |

WARNING

Some dust created by power sanding, sawing, grinding, drilling, and other construction activities contains chemicals known to the State of California to cause cancer, birth defects or other reproductive harm. Some examples of these chemicals are:

- lead from lead-based paints,
- crystalline silica from bricks and cement and other masonry products, and arsenic and chromium from chemically-treated lumber.

Your risk from these exposures varies, depending on how often you do this type of work. To reduce your exposure to these chemicals: work in a well ventilated area, and work with approved safety equipment, such as those dust masks that are specially designed to filter out microscopic particles.

Legend:

- | | |
|-----------------------|--------------------------------|
| 1. Speed control knob | 6. Scale |
| 2. ON/OFF switch | 7. Saw blade |
| 3. Handle | 8. Parallel stop |
| 4. Connection lead | 9. Piston with saw blade mount |
| 5. Saw plate | |

Description of the machine

The PROXXON Super SS 115/E Jig Saw is the ideal device for straight cuts and, above all, curved cuts in wood (up to $\frac{1}{2}$ " or 12 mm), sheet metal (up to $\frac{3}{16}$ " or 5 mm) and non-ferrous metals (up to $\frac{1}{8}$ " or 3 mm).

- Gearbox knob made from die cast aluminium
- Sliding foot for miter cuts adjustable up to 45°
- Reduction gear and additional stroke rate control

Technical data

Motor:

Voltage: 115V~
Current: 0,25 A

Unit:

Length: 9,1" (230 mm)
Weight: 1,2 lb (530 g)

Vibration: < 2,5 m/s²
Noise emission: < 70 dB (A)

Class II Equipment Double Insulation
Ear protection must be worn!

Accessories (included):

- 1 pc. Rip fence
- 4 pc. Supercut saw blades for wood, plastic and metal.
- 1 pc. Hex wrench (for changing saw blade)
- 1 pc. Hex wrench (for plate adjustment)
- 1 pc. Instruction Manual

Operation

Selecting the saw blades:

Depending on the material to be cut, you can choose between two different types of saw blades PROXXON provides. The correct selection of material has a very great influence on the quality of the result. You can find the description of the appropriate saw blades in the accessories-section.

Clamping and changing saw blades

Danger!

Injury hazard! Always remove the mains plug before performing the activities described here.

1. Loosen clamp screw using the hex wrench (1) provided (Fig. 2).
2. Insert saw blade (2) into slot in the saw blade mount and re-tighten clamp screw.

Important

The saw blade must be located in the groove of the support roller.

Setting the miter angle

Danger!

Injury hazard! Disconnect the mains plug before proceeding.

1. Loosen clamp screw using the hex wrench 1 (Fig. 3).
2. Adjust the saw plate (2) to the desired miter angle and re-tighten the clamp screw.

Setting the rip fence

Danger!

Injury hazard! Disconnect the main plug before removing or installing accessories..

1. Loosen clamp screw 1 (Fig. 4) using the hex wrench provided
2. Adjust the rip fence (2) to the desired dimension and re-tighten the clamp screw.

Note:

The rip fence can also be used for circular cuts. For this purpose, position a nail at the center point of the circle and use as axis for the stop. The scale for circled cuts is on the back of the guide of the rip fence.

Working with the jig saw

Danger!

Injury hazard! Safe and precise operation is only possible if the work piece is securely fastened.

Danger!

Injury hazard! Make sure the blade is not contacting the work piece before the switch is turned on.

Important

Only sharp saw blades in good condition will result in optimal cutting performance and prevent overloading of the tool.

Adjusting and selecting speed

1. Switch on the device at switch 2 (Fig. 5) and set the appropriate speed for the work at knob (1). The speed of the saw blade can be adjusted up to approximately 4200 strokes per minute.

In general:

Soft materials = high stroke rate, coarse toothing

Hard materials = low stroke rate, fine toothing

The appropriate speed depends on the blade used, the material, the thickness of the workpiece, the feed, etc. You may have to "experiment" a little to find the optimal result.

CAUTION:

- If the tool is operated continuously at low speeds for a long time, the motor will get overloaded and heated up.

Cutting:

When sawing, ensure that the base plate makes firm contact with the work piece. The jig saw can then be easily guided by hand. For the purpose of clean saw cuts and optimal cutting performance, the feed rate must be adapted to the type of material (e.g. slower feed rate when sawing metals).

When sawing metals, a small amount of oil should be applied to the cutting line.

Thin sheet metal should be clamped to a sufficiently stable base material (plywood sheet).

Thus, vibrations of the sheet metal can be largely prevented.

Danger!

Injury hazard! Do not touch the blade or the work piece immediately after operation! They may be extremely hot and could burn your skin.

Cutouts

For the production of cutouts, a hole must be drilled, which can be used as starting point for the saw: Insert the blade and into the hole and start your work.

Maintenance

Danger!

Injury hazard! Pull the main plug before making any adjustments, performing maintenance work, or carrying out repairs!

The jig saw is basically maintenance free. However, to ensure a long service life you should clean the device after each use with a soft, possibly moist cloth, swab, or brush:

Note:

All devices are contaminated with dust when working with wood. Maintenance is therefore essential. Always keep the vents for the motor cooling free of dust and dirt.

1. Thoroughly clean the device of all sawdust using a brush or soft cloth. Ensure all vents apertures are clear.
2. Regularly lubricate reciprocating plunger and support roller with several drops of engine oil, after approx. 30 min. running time (Fig. 6).

Do not use solvents or cleansing agents containing alcohol (e.g. benzene, cleaning alcohol, etc.) as these can corrode the plastic housings.

Accessories

Accessories available from PROXXON:

NO 28 054: Supercut jig saw blades of special steel

24 tpi, teeth set and ground. Work on hard and soft woods, plywood, fiberglass reinforced sheets as well as some plastics. Ideal for very tight curves and clean cuts.

NO 28 056 Jig saw blades of HSS

17 tpi, with teeth set and ground. Useable on metals, especially aluminum and softer alloys, fiberglass, plexiglas and insulating materials.

Spare parts list for Jig Saw SS 115/E, Article No. 38530

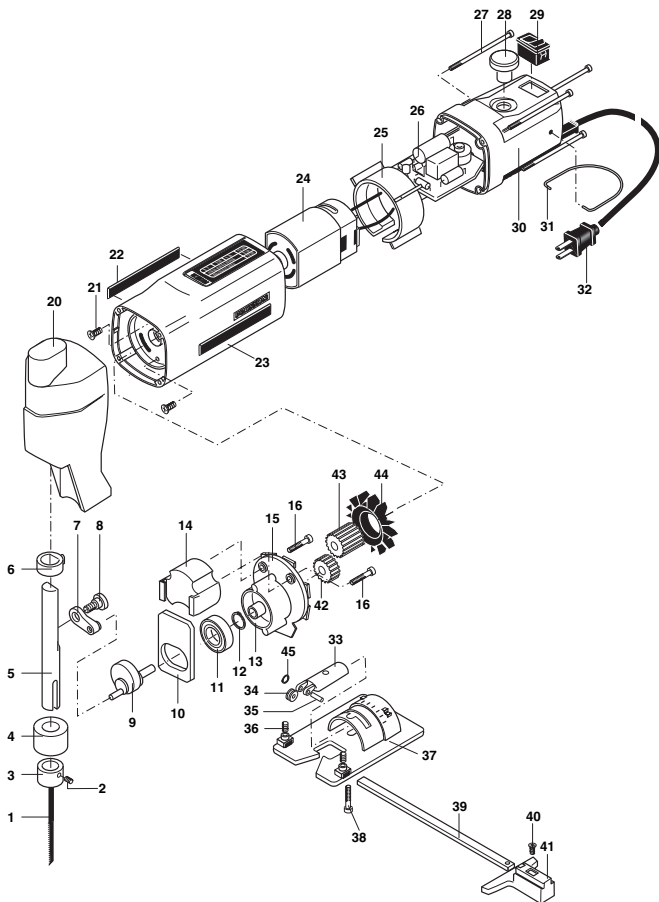
Please order spare parts in writing from PROXXON Service center
(Address on back of instruction manual)

| Part no.: | Designation | Part no.: | Designation |
|------------|------------------------|------------|------------------------------------|
| 28530 - 1 | Saw blade | 28530 - 27 | Housing screw |
| 28530 - 2 | Set screw | 28530 - 28 | Knob |
| 28530 - 3 | Blade holder | 28530 - 29 | Switch |
| 28530 - 4 | Bushing | 28530 - 30 | Rear housing cover |
| 28530 - 5 | Slider | 28530 - 31 | Bow |
| 28530 - 6 | Bushing | 38530 - 32 | Power supply cord |
| 28530 - 7 | Rod | 28530 - 33 | Retainer |
| 28530 - 8 | Screw | 28530 - 34 | Roller |
| 28530 - 9 | Eccentric shaft | 28530 - 35 | Pin |
| 28530 - 10 | Counterweight | 28530 - 36 | Screw |
| 28530 - 11 | Roller bearing | 28530 - 37 | Base |
| 28530 - 12 | Circlips | 28530 - 38 | Screw |
| 28530 - 13 | Bushing | 28530 - 39 | Guide |
| 28530 - 14 | Guide | 28530 - 40 | Screw |
| 28530 - 15 | Cover | 28530 - 41 | Stop |
| 28530 - 16 | Screw | 28530 - 42 | Pinion gear |
| 28530 - 20 | Head | 28530 - 43 | Motor pinion |
| 28530 - 21 | Motor fastening screws | 28530 - 44 | Fan |
| 28530 - 22 | Protective strip | 28530 - 45 | Circlips |
| 28530 - 23 | Motor housing | 38530 - 97 | Packaging |
| 38530 - 24 | Motor | 38530 - 99 | Manual incl. security instructions |
| 28530 - 25 | Centering ring | | |
| 38530 - 26 | Board | | |

LIMITED WARRANTY OF PROXXON POWER TOOLS FOR HOME USE

Prox-Tech, Inc., ("Seller") warrants to the original purchaser only, that all PROXXON consumer power tools will be free from defects in material or workmanship for a period of two years from the date of purchase. Seller's sole obligation and your exclusive remedy under this limited warranty and, to the extent permitted by law, any warranty or condition implied by law, shall be the repair or replacement of parts, without charge, which are defective in material or workmanship and which have not been misused, carelessly handled, or misrepaired by persons other than Seller or Authorized Service Station. In the event of a failure of a product to conform to this written warranty, please refer to the Service and Repair section on the back of this manual and take action accordingly. This Limited Warranty does not apply to accessory items such as circular saw blades, drill bits, router bits, jigsaw blades, sanding belts, grinding wheels and other related items. Damage to the product resulting from tampering, accident, abuse, negligence, unauthorized repairs or alterations, unapproved attachments or other causes unrelated to problems with material or workmanship are not covered by this warranty. Any implied warranties shall be limited in duration to two years from date of purchase. Some states in the U.S. and some Canadian provinces do not allow limitations on how long an implied warranty lasts, so the above limitation may not apply to you. In no event shall seller be liable for any incidental or consequential damages (including but not limited to liability for loss of profits) arising from the sale or use of this product. Some states in the U.S. and some Canadian provinces do not allow the exclusion or limitation of incidental or consequential damages; so the above limitation or exclusion may not apply to you. This limited warranty gives you specific legal rights, and you may also have other rights, which vary from state to state in the U.S., province to province in Canada and from country to country. This limited warranty applies only to PROXXON power tools sold within the United States of America, Canada, the commonwealth of Puerto Rico and Mexico. For warranty coverage within other countries contact your local PROXXON Importer.

Schematics for Jig Saw SS 115/E, Article No. 38530



PROXXON

SERVICE AND REPAIR

Your device does not work properly? Please read the operating instructions again carefully. If the unit is in fact defective, please send it to:

Prox-Tech, Inc.
Attn.: PROXXON Service Center
2555 Tate Blvd. S.E.
Hickory, NC 28601

Please make sure, that your tool is **carefully packaged** and include a copy of your **dated proof of purchase**. You will help us to react even quicker, if you describe the problem in short and please **don't forget to include your name, address and daytime telephone number**. We will respond in a prompt and reliable manner.

Spare Parts

You can also order any necessary **spare parts** from our Service Center at the above address. Please check the **article-number** of the tool concerned on the nameplate of the tool and define the part needed by using the **explosion drawing** in the manual that came with the tool. **Every part has a specific number** (5 digit-XX). Please provide us with this number when ordering.

For any further information call us toll free at **1-877-PROXXON** (1-877-776 9966) or visit us on the web at www.proxxon.com/us.

Made in Luxemburg
Distributed in the U. S. by Prox-Tech, Inc

Art.-Nr. 38530-99 PR 70470671_2J