

Accessories



No.	Description and application	Type	Item No.	Price
1	Turbo dust bags Paper dust bags for turbo dust extraction pack of 5 pack of 25	TF-RS 400/5	489 128	5.50
		TF-RS 400/25	489 127	25.00
2	Turbo dust bag set Paper dust bags for turbo dust extraction and one plastic holder	TFS-ES 150	489 631	15.00
3	Plug-it power cord, 13' (replacement)	SJO 2 x 18 AWG	490 649	30.50

Sanders

RAS 115 E rotary sander for stripping coatings

Strip it down

The RAS 115 is a light, easily-managed tool, specially designed for stripping coatings fast. Gear reduction gives

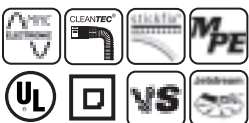


it high torque and a speed range of 1500-4000 rpm, ideal for fast, controlled stock removal. The lower speed prevents abrasive discs from overheating and clogging, an important consideration for stripping old varnishes and paint layers.

All controls are positioned for easy use. The RAS 115 is well-balanced and easy to hold, with a handle under 2 1/2" thick. It comes with an attachable side handle for vertical use, and weighs only 5 lbs. You can swivel the dust extraction hood as desired by just twisting the side handle, for a good view and optimum dust extraction. A spindle lock permits fast toolless backing pad changes.

Rotary sander

RAS 115.04 E



RAS 115.04 E

Includes:

- Dust extraction hood
- Stickfix sanding pad, soft 4 1/2" (115 mm) dia.
- 8 StickFix abrasive disks
- Extra hand grip • Wrench
- In Systerainer 2

Item No. 570 738Price \$295.00

See page 5 for package savings.

The benefits at a glance

Fast stock removal

- High torque to power through material.
- Moderate speed prevents abrasive clogging.

Great controllability

- Light, and handle just 2 1/2" thick for an easy hold.
- Electronic speed control for constant speed, even under load.
- Electronic starting control for jolt-free starts.
- Electronic temperature monitor prevents overheating.

Easy handling

- Dust extraction port at the rear and out of the way.
- Dust extraction hood swivels to catch dust without impeding your view of the workpiece.
- Vibration-Stop balancing reduces vibration for untiring working.
- "StickFix" hook-and-loop abrasive attachment for fast, easy grit changes.
- Spindle lock for toolless backing pad exchange.

Lower costs

- Sealed bearings for longer life.
- Long-life MPE sanding pad.
- Extreme durability backed by our 3-year warranty.

RAS 115.04 E

If you strip coatings and prep surfaces regularly, this is the tool for you. The speed range and torque are ideal for the task, and the extremely efficient dust extraction helps keep the air and the area clean. A swivelling hood enhances dust extraction, while giving you a clear view of the workpiece.

- Optimized for stripping coatings and prepping surfaces
- High torque, moderate speed
- Optimum dust extraction through rear dust extraction port
- Swivelling dust extraction hood for unobstructed view of workpiece
- Electronic speed control for constant speed under load
- VS balancing for smooth running
- StickFix system for fast abrasives changing

Power consumption	500 watts
Rotary speed	1500 - 4000 rpm
Pad diameter	4 1/2" (115 mm)
Shaft thread	M 14
Dust extraction port	Uses Festool D27 suction hose
Weight	5 lbs. (2.3 kg)

(Metric dimensions binding)




Abrasives for RAS 115 E rotary sander

StickFix abrasive sheets



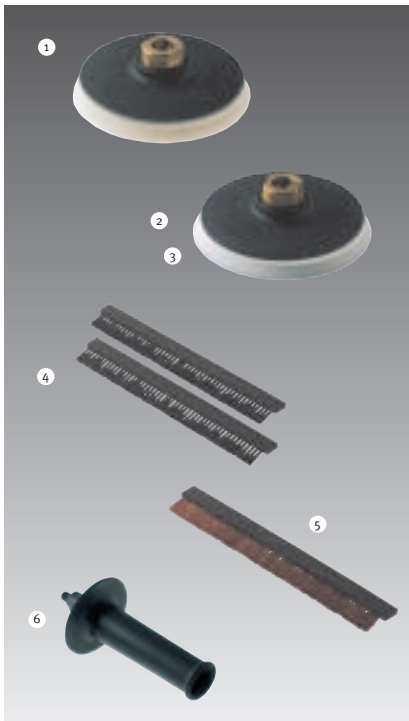
StickFix abrasive sheets
dia. 4 1/2" (115 mm) / 9 hole
for RAS 115.04 E



	Grit	Qty	Item No.	Price	Grit	Qty	Item No.	Price
Saphir  For heavy duty use	24	25	484 151	17.50				
	36	25	484 152	16.00				
	50	25	485 245	16.00				
	80	25	485 246	13.00				
Rubin  For bare wood	24	50	485 914	18.50	120	50	484 161	15.00
	36	50	485 915	18.50	150	50	484 162	15.00
	50	50	484 158	17.50	180	50	484 413	15.00
	80	50	484 159	15.00				
	100	50	484 160	15.00				
Vlies  For light sanding and degreasing	A 80	10	484 165	25.00				
	A 180	10	484 166	27.50				

Accessories for RAS 115 E rotary sander

StickFix sanding pad



No.	Description and application	Type	Item No.	Price
1	FiberFix sanding pad for fiber discs and Longlife fiber discs D 115	2F D115/M14	485 298	21.00
2	StickFix sanding pad, hard hard, high edge strength, for flat surfaces and narrow edges dia. 115 mm, Connecting thread M14	STF D115/M14 H	484 172	18.00
3	StickFix sanding pad, soft	STF D115/M14 W	484 173	18.00
4	Brush insert for RAS 115 with plastic bristles (2 per pack)	AHP-RAS D115/2	484 727	12.00
5	with metal bristles (1 per pack)	AHM-RAS D115	484 728	12.00
6	Additional hand grip	ZG-RO	487 865	5.50