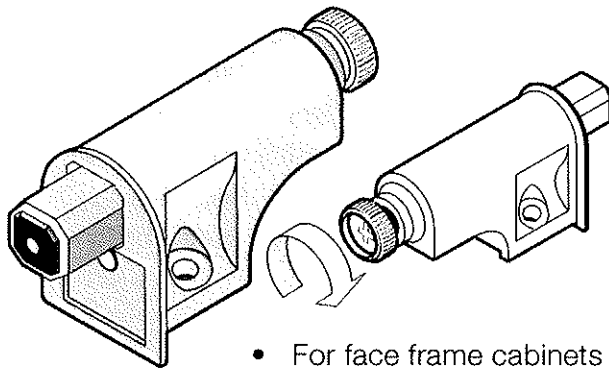
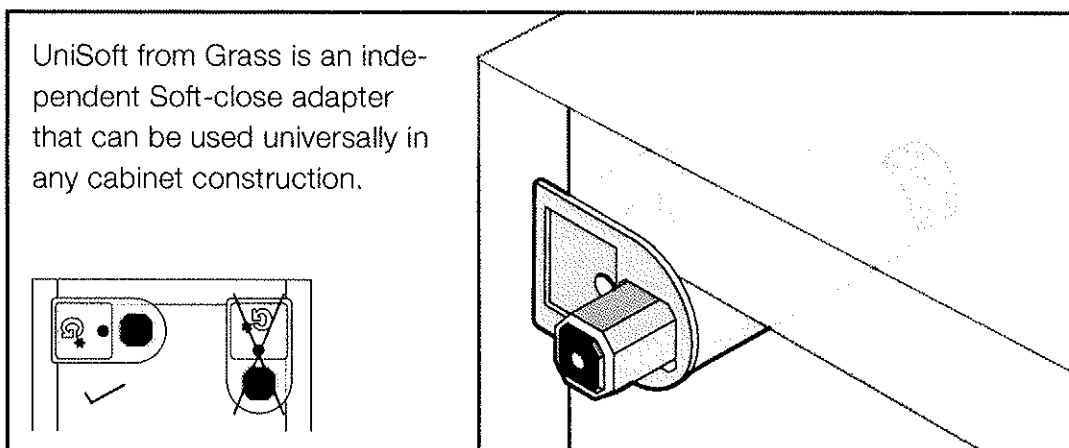


# unisoft Soft-close for doors



- For face frame cabinets (For any door overlay)
- For frameless style cabinets (Full overlay)
- Non-handed
- Sleek design



Grass America Inc.  
1202 Highway 66 South  
Kernersville, NC 27284

Phone 1-800-334-3512  
Fax 1-800-526-8406

Patent Pending

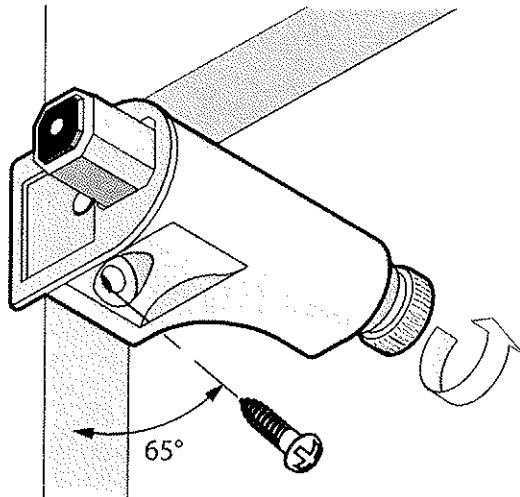
**G\*GRASS®**

Internet: [www.grassusa.com](http://www.grassusa.com)

**⚠ WARNING - CHOKING HAZARD - Small parts. Not a toy. Keep out of reach of children.**

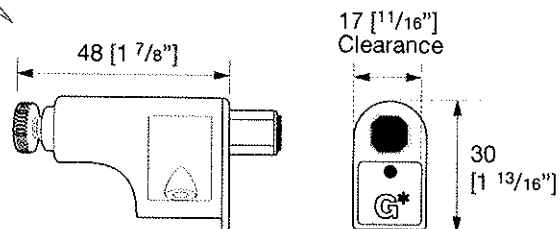
# unisoft

# G\*GRASS®

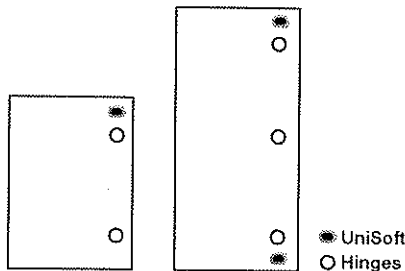


### Mounting

UniSoft mounts easily in the corner of the cabinet on the side where the hinge is located. Pilot drill 2.3mm Ø [3/32"]; 1/4" deep only, for a #6 x 3/4" pan head screw.

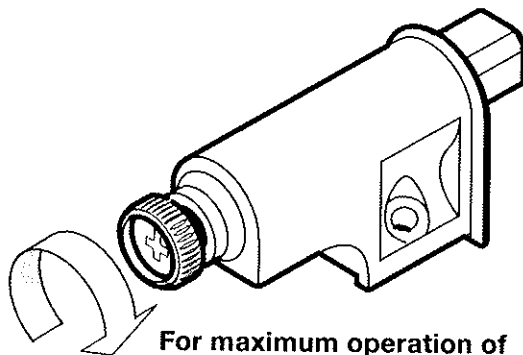


Use 65° angle for best mounting results.



### Number per door

Use one UniSoft for most applications. For heavier doors use two or more. Trial mount recommended.



### Adjustment

Turn adjustment screw to move damper in and out. Adjust in for heavier doors or out for light doors.

For maximum operation of adjustment screw use screwdriver.

#01753