



INSTALLATION PROCEDURE

EASE OF INSTALLATION

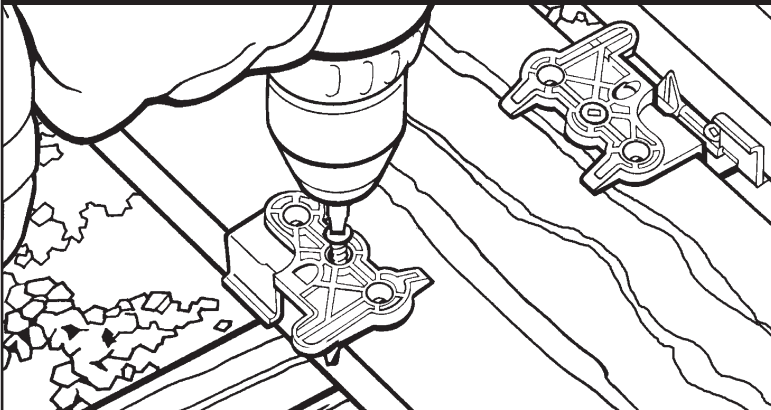
- Above-the-deck installation: The IQ System is designed to be installed while standing on the deck. This makes installation much faster and easier than "below-the-deck" hidden fasteners.
- Just Clip & Flip™: Simply align the clips with the joists, attach to the bottom of each board using one 7/8" screw in the center hole of each clip. Flip. Then install the joist screw. In three easy steps, you're done.
- One clip: The IQ System is engineered with one style clip. No special Right Clip, Left Clip, Butt Joint Clip. One clip does it all.
- One tool: The only tool you will need to install the IQ System is a drill. No need for a sledgehammer, biscuit cutter or bow wrench.
- Butt joints: Use the same IQ clip. Align board ends, gapping between where necessary. Center clip over the seam and install two 7/8" screws in outside clip holes.

Note: Hardwoods require predrilling at butt joints.

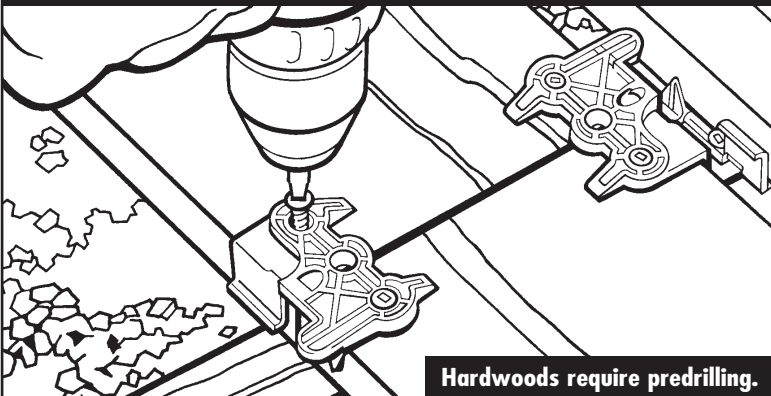
| Part Number | Sq. Ft. Per Box* |
|-------------|------------------|
| FMIQKIT-25 | 25 |
| FMIQKIT-100 | 100 |
| FMIQKIT-300 | 300 |

* Statement is based on 6" wide boards with 16" o.c. joist design. Square foot coverage may vary with joist spacing, deck design and deck board width.

Standard Installation: One 7/8" screw in center clip hole.



Butt Joint Installation: 7/8" screws in outside clip holes.

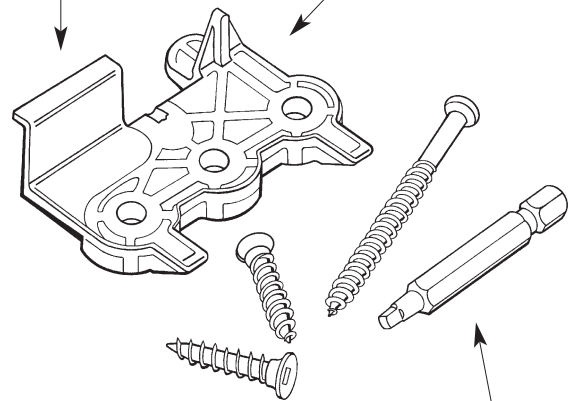


Hardwoods require predrilling.

PRODUCT FEATURES

TABS ALLOW FOR CONSISTENT BOARD-TO-BOARD GAPPING

MADE OF UV STABLE ENGINEERED POLYCARBONATE RESIN



DEEP #2 SQUARE DRIVE PROVIDES BEST BIT ENGAGEMENT

ACQ APPROVED CORROSION RESISTANT COATING

FM08002-10M-AMM



OMG, INC., 153 BOWLES ROAD, AGAWAM, MA 01001
800-518-3569 WWW.FASTENMASTER.COM

©2008 FastenMaster® and IQ™ are trademarks of OMG, Inc.