

Guide system for precision sawing

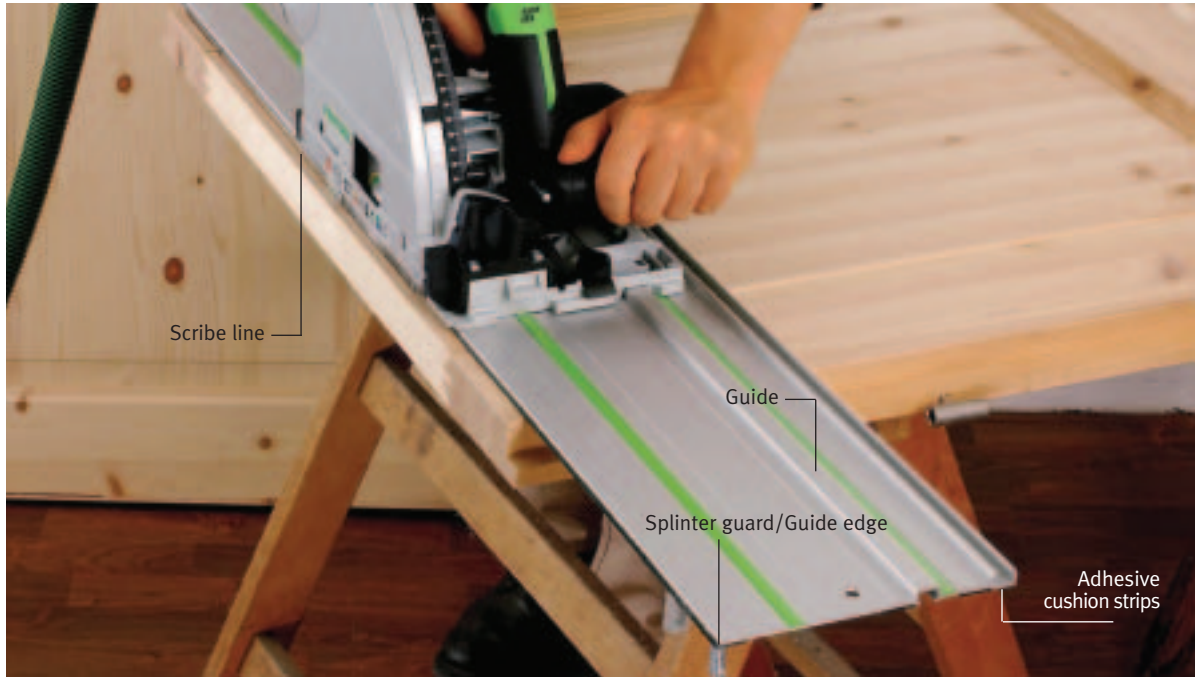
Absolutely straight, precise, splinter-free

Absolutely straight, safe and precise

Festool FS guide rails are available in ten different lengths from 32" to 197", providing the right rail for every application.

Simply lay the guide rail on the workpiece and line up the splinter guard flush with the scribe line. Now place your Festool circular saw on the guide rail. The guide rib on the rail engages in the guide slot on the tool. You save laborious measurements and obtain perfectly straight and accurate cuts.

The guide rail

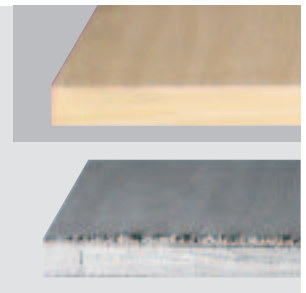


Gentle on surfaces

The soft, non-slip coating prevents damage to the workpiece and holds the guide rail securely in place without clamping or taping. This protects sensitive, high quality materials and saves time-consuming reworking. The saw slides smoothly on the guide rail, so that you can guide the saw easily with a precision that will remain constant over years of use.

Patented splinter guard

Festool guide rails are equipped with a splinter guard. A rubber lip pressing onto the workpiece along the scribe line ensures splinter-free cut edges.



Zero lateral play adjustment for perfect results

The guide slot can be adjusted precisely to the dimensions of the guide rib. All guide rails will thus fit any Festool saw. This adjustment ensures maximum cutting precision and easy handling. You save time and avoid spoiling workpieces.



Guided cuts at any bevel angle

With Festool, the scribe line is always the cutting edge—even on angles between 45° and 90°.



Precise angle cuts up to 45° on both sides

With the FSW angle unit and a guide rail you can quickly set angles of 0° to 45° to either side. This allows you to cut boards and panels to any size at any desired angle, fast, safely, and accurately.

Guide system for precision routing

Guided routing to a scribe mark

To rout out grooves, simply align the guide rail to the scribe mark and fix it in place with Festool clamps. It is now absolutely impossible for the router to wander. This makes routing work easier and faster and at the same time safer and more precise.



Routing at any desired angle

The Festool guide system is also an ideal solution for routing work at an angle on the outer edge of workpieces. The guide cannot slip if secured with FSZ clamps. This avoids reworking and spoiled workpieces.



For ultra-precise guidance

A guide rail fixed into place with the special Festool FSZ clamps, and a guide stop adjusted to be free of backlash, provide the basis for ultra-precise work. For example, use it for dovetail joints produced in several steps. Even when routing against the grain, the router cannot deviate from the desired path, giving perfect results.

Drilling extremely accurate rows of holes

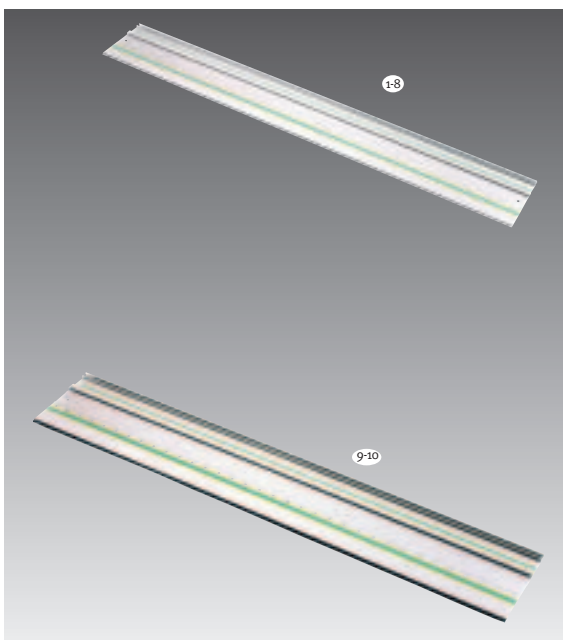
The FS-LR 32 hole drilling system makes it easy to produce rows of holes in furnituremaking, for dowels, shelf supports, etc. The router is positioned precisely by an indexing pin. Recesses for hardware fittings can also be routed precisely between the holes on a 32 mm grid pattern (Euro-holes). This method is highly economical for the production of single pieces or short runs.



Guide rail FS/2

Intelligent technology for precise working

Guide rails



No.	Description and application	Type	Item No.	Price
Guide rail				
	<ul style="list-style-type: none"> • Hard-anodized surface • Soft, non-slip coating • Hard rubber splinter guard • Mounting slot for: FSW angle unit FSV connectors FSZ clamps FS-AW Deflector 			
1	Length 32" (800 mm)	FS/2 800/2	491 499	49.50
2	Length 42" (1080 mm)	FS/2 1080/2	491 504	63.00
3	Length 55" (1400 mm)	FS/2 1400/2	491 498	74.50
4	Length 75" (1900 mm)	FS/2 1900/2	491 503	132.00
5	Length 95" (2400 mm)	FS/2 2400/2	491 502	190.00
6	Length 106" (2700 mm)	FS/2 2700/2	491 937	202.00
7	Length 118" (3000 mm)	FS/2 3000/2	491 501	227.00
8	Length 197" (5000 mm)	FS/2 5000/2	491 500	375.00
9	Length 42" for hole series (1080 mm)	FS/2 1080/2-LR 32	491 621	66.00
10	Length 95" for hole series (2424 mm)	FS/2 2424/2-LR 32	491 622	215.00

Accessories for guide system FS, FS/2

Intelligent technology for precise working

Accessories for guide rails



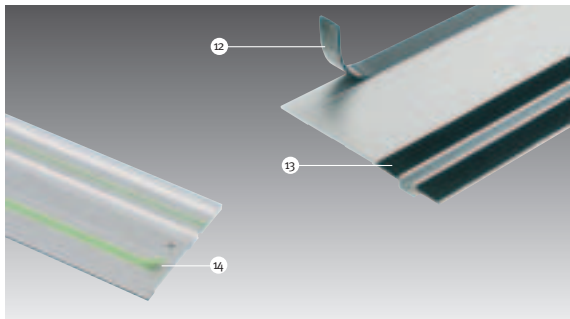
No.	Description and application	Type	Item No.	Price
1	Angle unit with scale for attachments to FS/2 guide rail	FS-KS	491 588	65.00
2	Clamps For securing guide rails Pack of 2, clamping width 4 11/16" (120 mm) or clamping width 11 13/16" (300 mm)	FSZ 120 FSZ 300	489 570 489 571	31.50 37.00
3	Connector Connects two guide rails for long workpieces - quantity 1 (2 are needed)	FSV	482 107	11.50
4	Deflector Prevents suction hoses and cables from catching on the end of the guide rail	FS-AW	489 022	12.00
5	Limit stop Provides front and rear stop position on guide rail	FS-FB	485 827	19.00
6	Guide rail tote bag For FS 1400/2 and shorter. A convenient way to take a guide rail with you.	FSB 1400	466 357	72.50
7	Gecko For lifting and carrying big and awkward loads that are difficult to handle.		492 617	48.50
8	Gecko Set		493 507	56.00
9	Gecko Pad (replacement)		493 307	11.00
10	Gecko Adapter (not shown)		492 616	14.50

Accessories for guide rails



No.	Description and application	Type	Item No.	Price
11	Guide rail accessory kit • Angle unit • Return/limit stop • Extra splinter guard • Deflector • 2 connectors • 2 steel clamps	FS-SYS/2	492 396	158.00

Replacement parts for guide rails



No.	Description and application	Type	Item No.	Price
12	Splinter guard replacement splinter guard for guide rails	FS-SP 800 (32") FS-SP 1400 (55") FS-SP 3000 (118")	488 468 483 164 488 467	6.50 9.50 14.50
13	Adhesive strip replacement adhesive strips for guide rails, in 32.8 ft. (10 m) rolls	FS-HU 10 M	485 724	17.00
14	Tool glide strip replacement adhesive PTE plastic strip for FS/2 guide rails, in 32.8 ft. (10 m) rolls	FS-GB 10 M	491 741	24.00