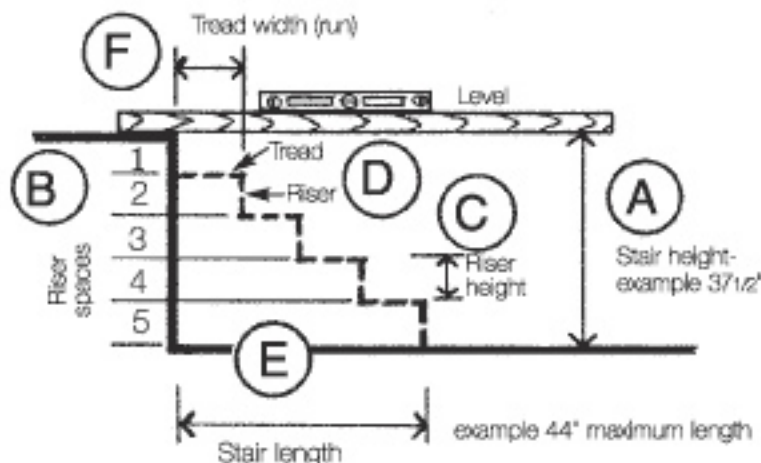


Let's get started...

First: Check your local building codes.

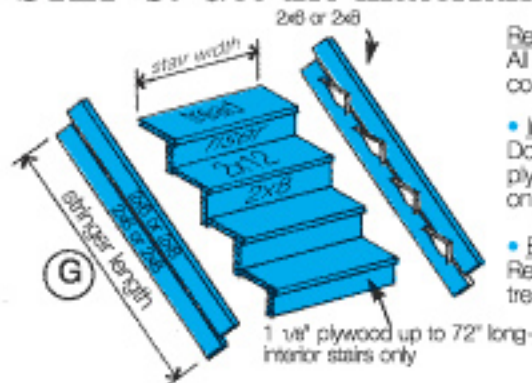
STEP 1: Measure



STEP 2: Calculate

Calculations	Example	Your Stair
A Stair Height	Measured = 37 1/2'	
B Riser Spaces stair height ÷ 7" (average)	$\frac{37 1/2}{7} = 5.35 = 5$	
C Riser Height stair height ÷ riser spaces	$\frac{37 1/2}{5} = 7 1/2'$	
D Treads & Risers (riser spaces) - 1	$5 - 1 = 4$	
E Stair Length	Measured = 44'	
F Tread Width (run) stair length ÷ treads	$\frac{44}{4} = 11'$	
G Stringer Length (treads x 14) + B	$(4 \times 14) + 8 = 64'$	

STEP 3: Get the materials



Recommended materials:
All materials must be No. 2 construction grade or better.

- Interior stairs:
Douglas Fir, Red Oak 1 1/8" plywood (risers and treads only up to 72' long)
- Exterior stairs:
Redwood, Cedar, Pressure treated lumber

In addition, you will need screws (not included):

- 1 1/4" #8 Phillips flathead screws - 34 screws per tread
- 2 1/2" #8 deck screws - 2 per tread for each 9" of stair width
- Top screwing of treads only: 2" #12 galvanized sheet metal screws - 6 per tread
- Note: When using pressure treated lumber, all screws must be hot dipped galvanized.

STEP 4: Stair width/stringer support intervals

Stringers must be supported along their length at certain intervals using walls or posts. These intervals vary according to stair width and stringer size.

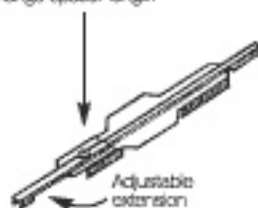
Stringer Support Intervals

stair width	interior stair	exterior stair	stringer size
36"	103"	92"	2- 2 x 6
48"	89"	79"	2- 2 x 6
60"	79"	71"	2- 2 x 6
72"	72"	61"	2- 2 x 6
84"	85"	66"	2- 2 x 8
96"	79"		2- 2 x 8
108"	70"		2- 2 x 8

STEP 5: Setting spacer length to change tread width.

The spacer has 13 length settings (marked "a" thru "m"). Each setting will change the tread width in relation to a riser height.

Adjusting screw set in holes "a" thru "m" to change spacer length



NOTE: Tread widths may vary slightly with riser adjustment. Check before fixing.

SPACER SETTING CHART

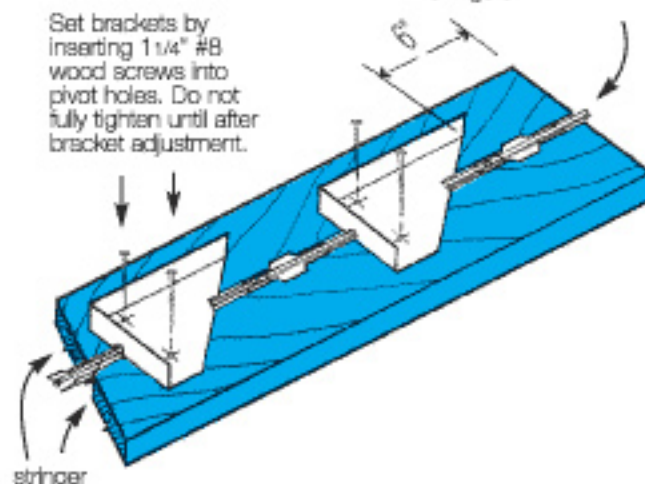
RISER HEIGHT	TREAD WIDTH																
	9"	1/2"	10"	1/2"	11"	1/2"	12"										
14"	c	d	e	f	g	h	i	j	k	l	m						
8"	b	c	d	e	f	g	h	i	j	k	l	m					
3 1/2"	a	b	c	d	e	f	g	h	i	j	k	l	m				
1 1/2"	a	b	c	d	e	f	g	h	i	j	k	l	m				
14"		a	b	c	d	e	f	g	h	i	j	k	l				
7"			a	b	c	d	e	f	g	h	i	j	k				
3 1/2"				a	b	c	d	e	f	g	h	i	j	k			
1 1/2"					a	b	c	d	e	f	g	h	i	j			
14"						a	b	c	d	e	f	g	h	i			
6"							a	b	c	d	e	f	g	h	i		

EXAMPLE: Find the setting for 7 1/2" rise and 11" tread. The 7 1/2" rise column crosses the 11" tread width column at "h" - set spacer for "h".

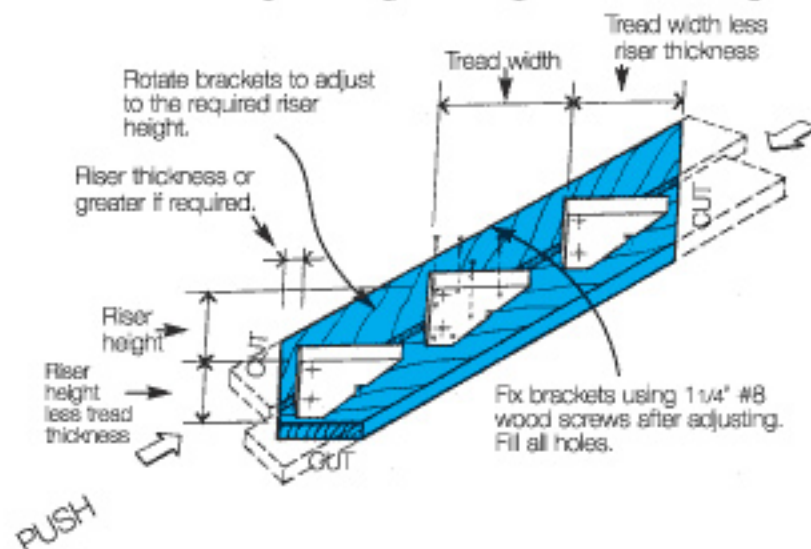
Set the stringers...

STEP 6: Setting the brackets

Insert spacers snugly to guarantee proper setting of brackets and to set gap between stringers.



STEP 7: Adjusting, fixing and cutting



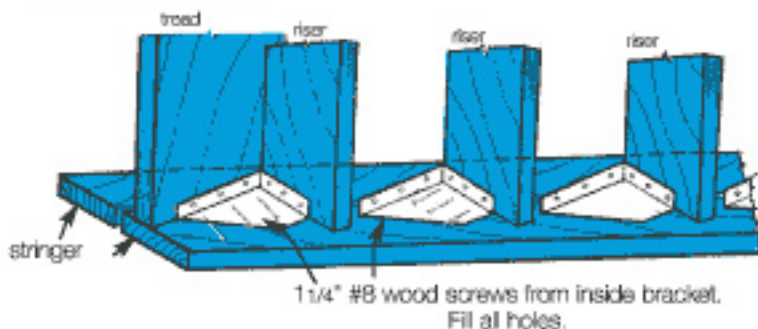
ICC-ES Report Number: ER-6161
A copy is available online at www.ez-stairs.com

Ready to build...

Next: Stair assembly-
Stairs may be **A. Pre-assembled** or
B. Built in place.

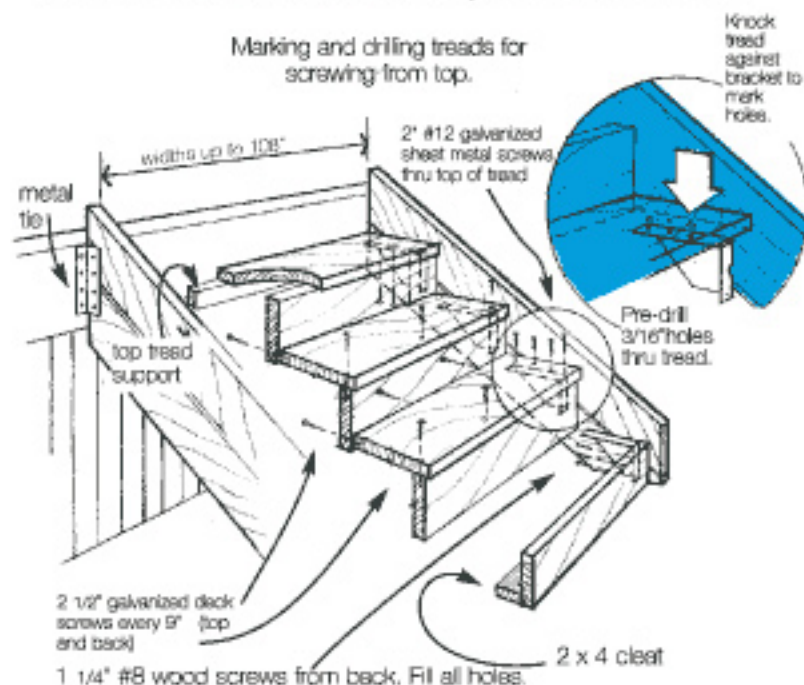
A. Pre-assembled:

Place stringer on side and install all risers. Attach opposite stringer and install all treads.

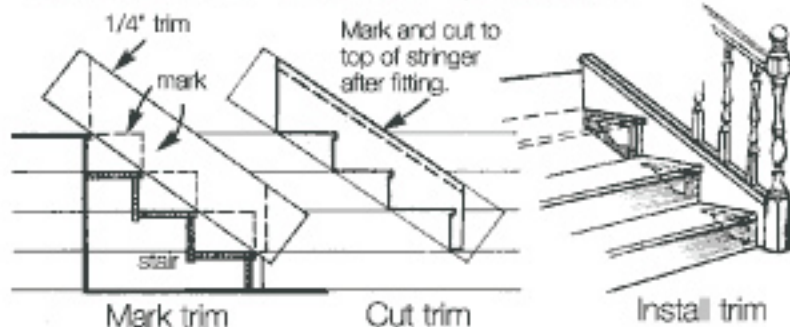


B. Built in place:

Attach stringers and install all risers with screws from back. Install all treads with 2" #12 sheet metal screws thru pre-drilled holes in the tread.



Interior stair trim...



Concrete formwork fast • accurate • REUSABLE

THE BRACKETS DO THE WORK.

1

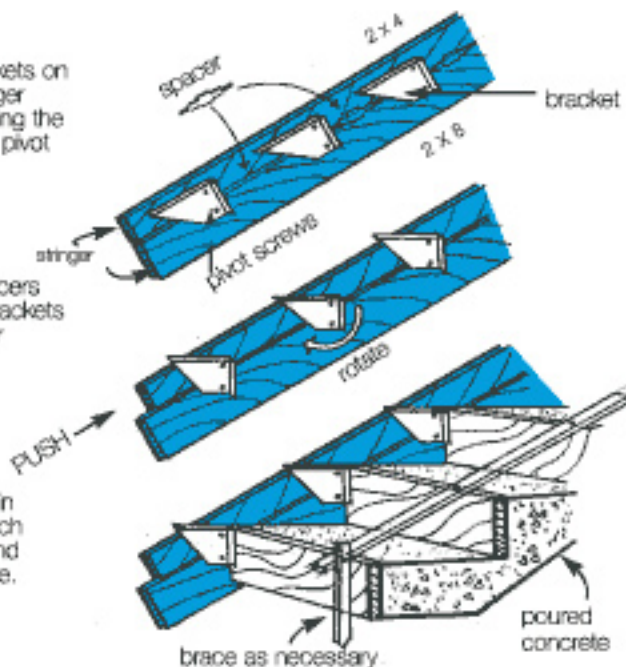
Set the brackets on the two stringer members using the spacers and pivot screws.

2

Remove spacers and rotate brackets to adjust stair

3

Fix brackets in position, attach riser forms and pour concrete.



EZ Stairs inc. introduces a
revolutionary new design
that makes stair building
faster, easier and stronger.

the secret- Adjustable Stair Brackets:

- interior stairs
- exterior stairs
- PLUS** • concrete formwork

THE BRACKETS DO THE WORK.

1

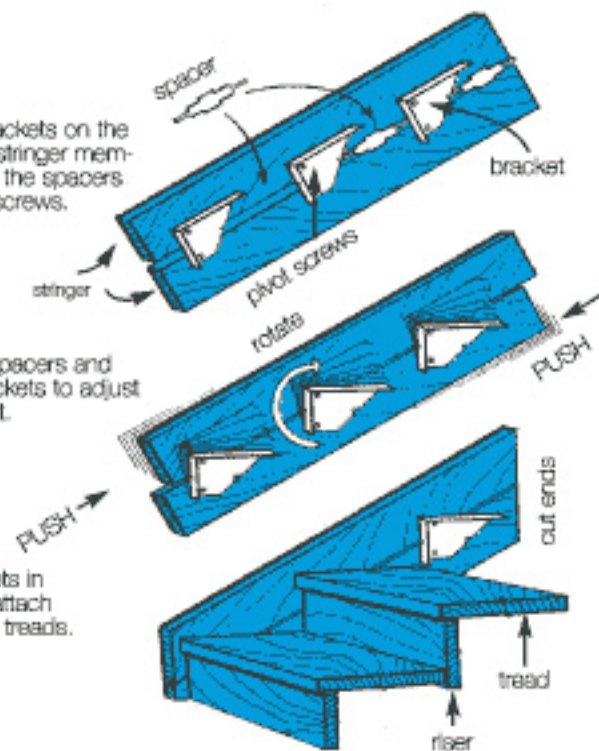
Set the brackets on the two 2 x 6 stringer members using the spacers and pivot screws.

2

Remove spacers and rotate brackets to adjust stair height.

3

Fix brackets in position, attach risers and treads.



The two outside stringers only are required for stair widths up to 9'0"-----
THAT'S STRONG.

- You'll need one bracket set for each stair (tread):



2 brackets



1 spacer

Wood, screws or other materials are purchased separately.

See details inside.



EZ Stairs inc.
27068 La Paz Road #263
Aliso Viejo, CA 92656-3041
www.ez-stairs.com

©2002 EZ STAIRS inc. All rights reserved